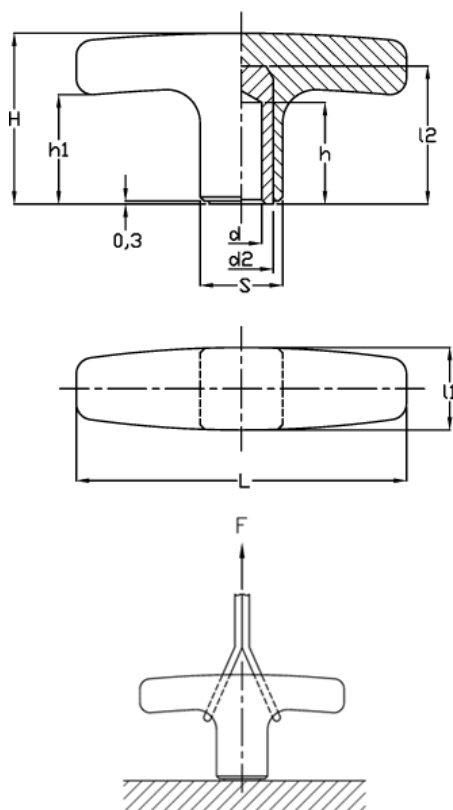


Data Sheet



Article number: 2304032441
Description: Handle 32441
L.652/67 B-6, Black

Measures



$d_2 = 11$
 $d_{H9} = 6$
 $F (N) = 4500$
 $h = 20$
 $H = 37$
 $h_1 = 25.0$
 $L = 67$
 $l_1 = 16$

$l_2 = 30$
 $S = 16 \times 16$